

# OBS X

*Obstacle LED light*



## SUMMARY

### Product summary:

#### **OBS X – Advanced universal Obstruction Light with Infrared LED Technology**

The **OBS X** sets a new standard in aviation obstacle lighting, combining cutting-edge design, advanced LED technology, and compliance with international aviation regulations. Engineered to mark hazards for aviation safely and effectively, the OBS X ensures pilots can rely on its performance, even in challenging weather conditions.



#### **Features and Benefits:**

- **Total Waterproof Design:** The OBS X is completely and remain totally waterproof or humidityproof. Aerolighting has built its reputation on the exceptional quality and long-term waterproofing of its products — and this one is no exception!
- Integrated with an **IP68 quick connector** (from German manufacturer), the lamp provides easy and waterproof connectivity.
- **Next-Generation Infrared LED:** Equipped with the innovative **SafeBeam** LED system, the OBS X provides precise red and infrared illumination for enhanced visibility and compliance with international standards. With a lifetime exceeding **80,000 hours**, these LEDs deliver exceptional durability and photometric stability.
- **Internal Twilight Sensor:** For added efficiency, the OBS X offers an internal **twilight sensor**, allowing the light to operate automatically in low-light conditions, ensuring energy savings and consistent performance.
- **Optionally for flashing model:** integrated GPS synchronization, ensuring coordinated flashing across multiple units
- Features a **dry contact fault indication** output, providing reliable signaling for system diagnostics and maintenance alerts. Monitoring constantly many parameters on the light (LED, current, voltage...)
- **Ease of Installation and Maintenance-Free:** Designed for simplicity, the OBS X is easy to install and requires no routine maintenance, reducing operational costs and downtime.
- User-selectable: TYPE A or TYPE B mode.(10cd or 32cd)
- As always with Aerolighting, the electronic and electrical design follows the highest industry standards. This lamp is engineered to operate at its rated value in temperatures up to 80°C!

The **OBS X** complies with both international aviation guidelines and local authority regulations, making it a robust and reliable choice for marking obstacles in all conditions.

<b>Design:</b>	Obstacle LED light ICAO Low intensity Type A/B <b>User selectable A/B</b>
<b>Material:</b>	Aluminum
<b>IP Rating:</b>	IP 67
<b>InfraRed</b>	Integrated
<b>Projection:</b>	<250mm
<b>Alarm</b>	<b>Yes, voltage and current monitoring with alarm relay</b>

<b>Power supply</b>	110~240VAC Or 24VDC
<b>Power:</b>	Max. 8W
<b>Standards:</b>	ICAO
<b>Brightness ctrl.:</b>	No
<b>LED Lifetime:</b>	> 80'000 hours
<b>Twilight sensor:</b>	<b>Photocell integrated</b>

## TECHNICAL DESCRIPTION:

### Mechanical characteristics (without universal bracket):

<i>Body material:</i>	Aluminum
<i>Diameter:</i>	159mm
<i>Height above ground:</i>	Max 135mm
<i>Weight:</i>	1.6 kg
<i>Ambiant Temperature range:</i>	-35° to +55°C
<i>Protection Class:</i>	IP67
<i>Connection:</i>	IP68 quick connector
<i>Photocell:</i>	<b>Integrated photocell (internal)</b> User-selectable trigger level: 600 lux, 400 lux, 300 lux, or always ON

### Optical characteristics: (visible and IR)

<i>Technology:</i>	High Power LED
<i>Light source:</i>	Aerolighting SafeBeam Red + IR
<i>Available color:</i>	Red + InfraRed / IR: ~850nm
<i>Intensity (Red):</i>	<b>User selectable (jumper)</b> <b>Type A or Type B ICAO (10cd or 32cd)</b>
<i>Horizontal output:</i>	360°
<i>LEDs Lifespan:</i>	>80'000 hours

### Electrical characteristics:

<i>Supply Voltage:</i>	110~240VAC 48 Volts DC
<i>Power:</i>	Max 8 Watts
<i>Connection:</i>	L/N/PE Alarm/Alarm
<i>Type of cable:</i>	Max: 5x2.5mm <sup>2</sup>

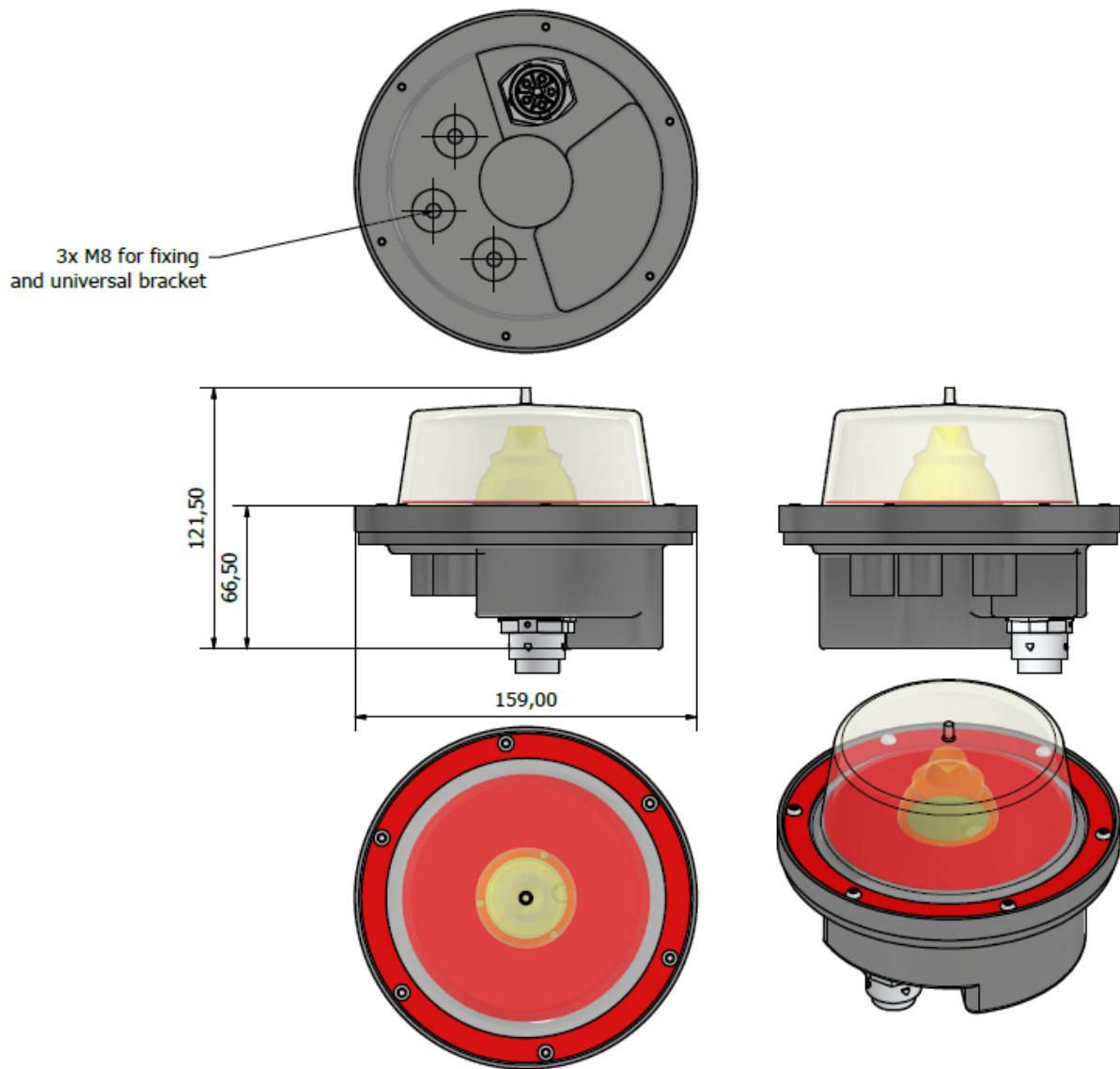
### Option:

<i>Universal mounting bracket:</i>	Stainless steel universal mounting bracket (for tube, wall, and surface mounting). Two brackets can be combined to create a dual-mount system, compatible with tube, wall, and surface installations.
<i>OFAC (Switzerland infrared flash):</i>	Special version conform to OFAC swiss standard (flashing IR) Max 15 Watts
<i>Special version on request</i>	

<i>ICAO Annex 14 Vol I</i>	Low intensity obstacle LED light type A and B
<i>IEC 60598-1 :2020</i>	Ingress protection class dust/liquids

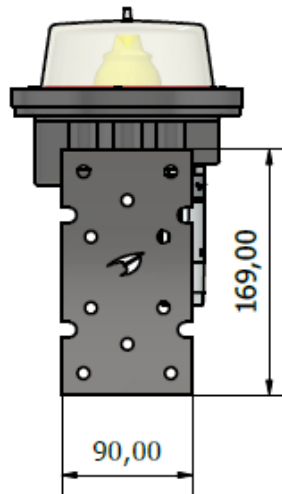
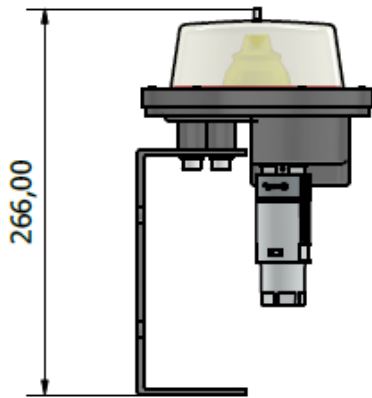
DRAWING

WIHTOUT UNIVERSAL BRACKET

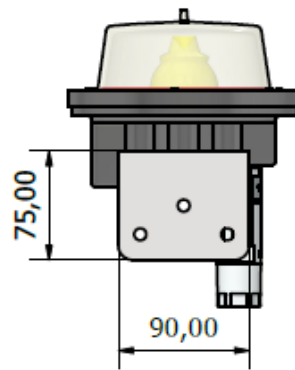
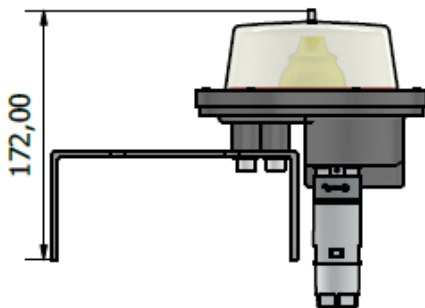
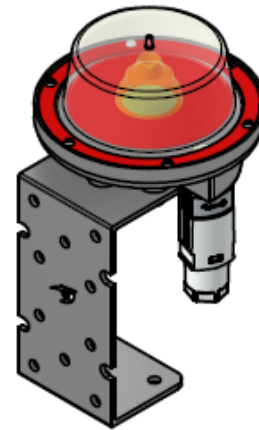


DRAWING

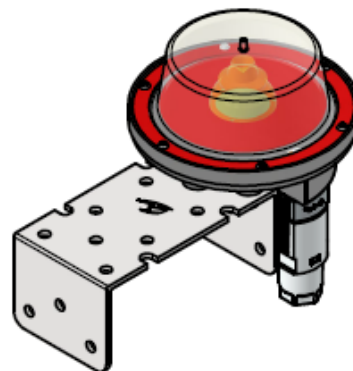
WITH UNIVERSAL BRACKET



Universal bracket:  
Position: Ground, Floor, Tube



Universal bracket:  
Side, Frontage, 90°.



The descriptions, photometric measurements and features contained in this publication are given for information only and do not constitute an engagement for our society, which reserves the right to change them without prior notification.